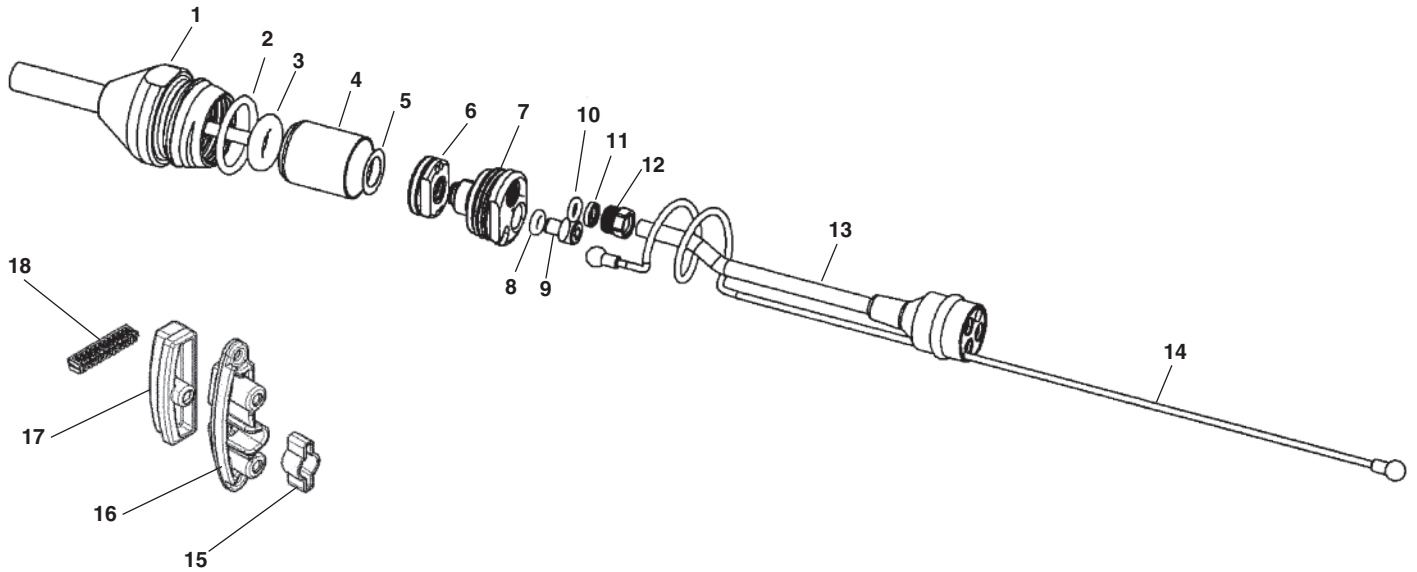
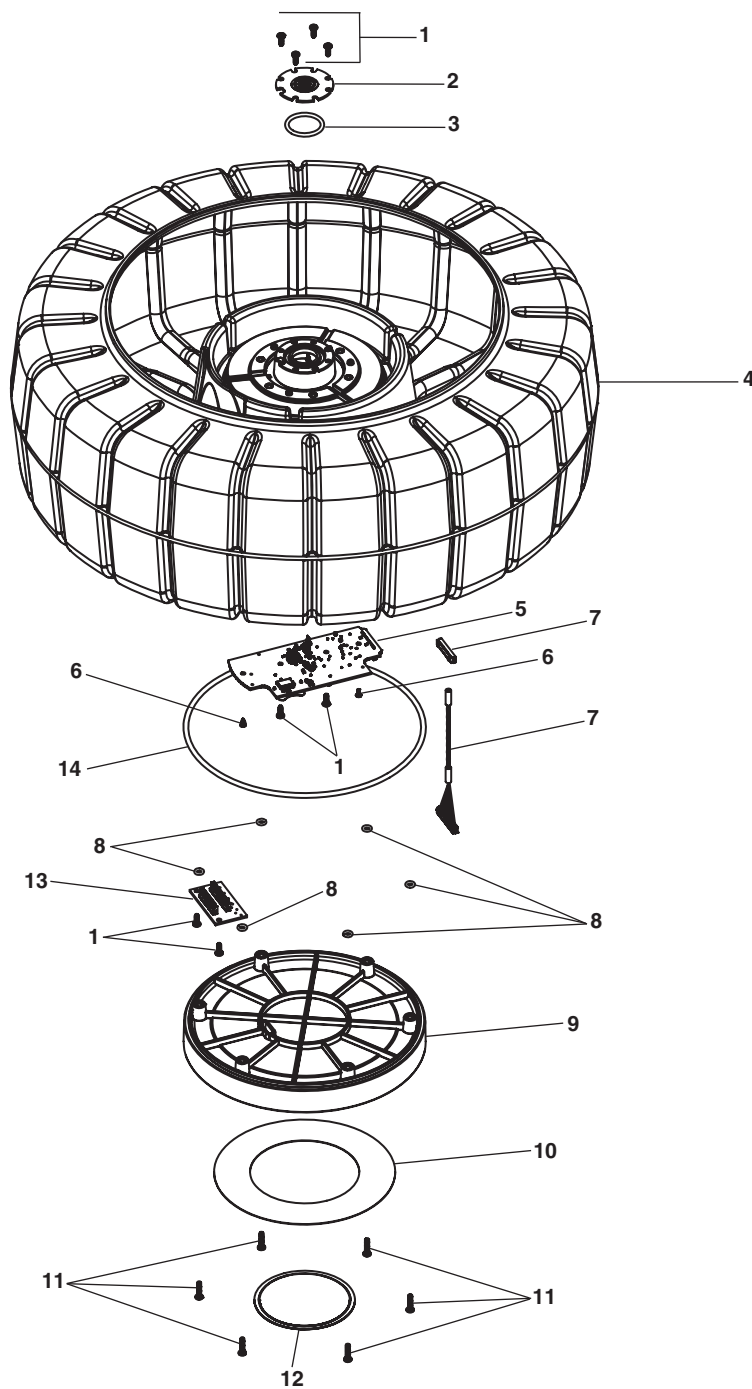


Push Cable Assembly



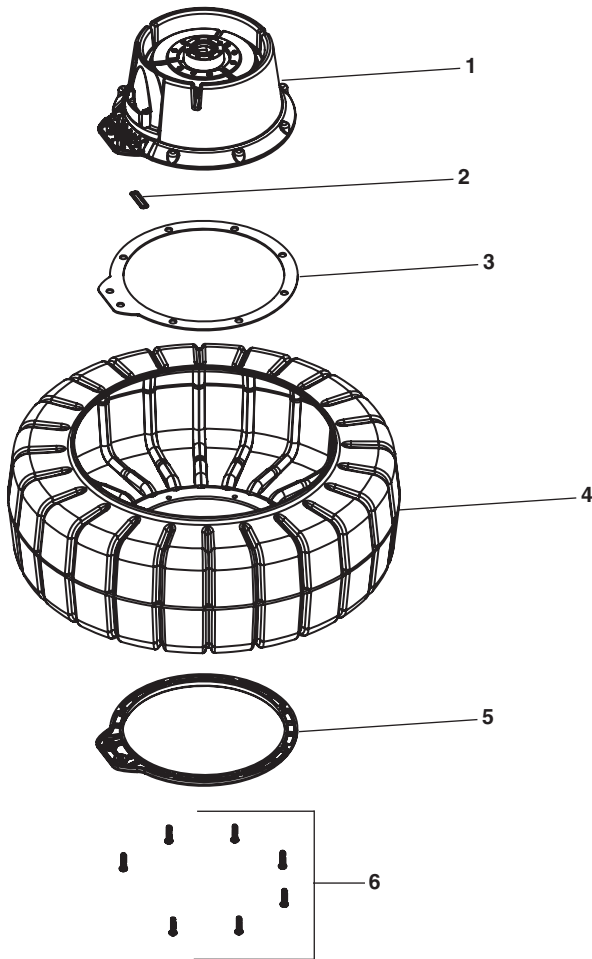
**NOTE: Order parts by Catalog Number only.
DO NOT order by Reference Number.**

| Ref. No. | Catalog No. | Description |
|------------------------|-------------|--|
| | 49438 | Push Cable Asm. |
| 1 | 18763 | Spring Shell |
| 2 | 18768 | O-Ring |
| 3 | 18773 | O-Ring |
| 4 | 18778 | O-Ring Cap |
| 5 | 18793 | Spring Washer |
| 6 | 18783 | Push Nut |
| 7 | 18788 | Termination Plug |
| 8 | 18828 | O-Ring |
| 9 | 18803 | Screw |
| 10 | 18798 | O-Ring |
| 11 | 18808 | Back Up Ring |
| 12 | 18813 | Seal Screw |
| 13 | 18818 | Coil Cord |
| 14 | 18823 | Safety Cable |
| 15 | 71607 | Clamp |
| 16 | 35933 | Sealing Clamp |
| 17 | 35928 | Wire Plug |
| 18 | 36223 | IDC Connector |
| | 18733 | Retermination Kit Incl. Ref Nos. 2,3,6,7,8,10,11,12 |
| Items Not Shown | | |
| | 20268 | Spring Assembly |
| | 20273 | Locking Sleeve |
| | 20278 | Retaining Ring |
| | 20283 | Connector W/Ball Slot |
| | 20288 | Connector Less/Ball Slot |



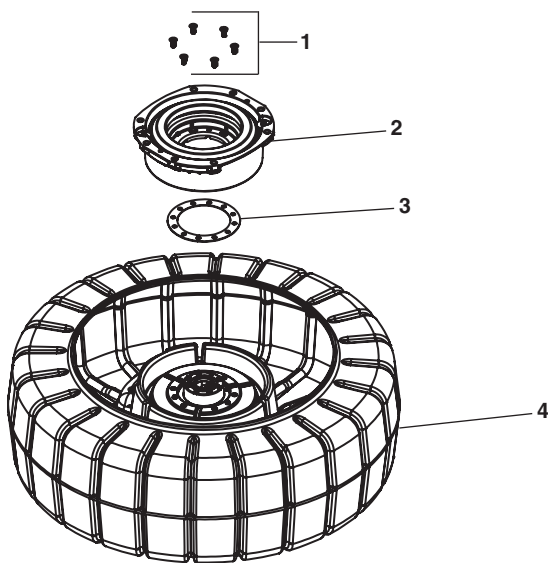
**NOTE: Order parts by Catalog Number only.
DO NOT order by Reference Number.**

| Ref. No. | Catalog No. | Description |
|----------|-------------|--------------------------|
| 1 | 35548 | Screw, #4-20 x 3/16" (8) |
| 2 | 35598 | Drum Side PCB |
| 3 | 35613 | O-Ring |
| 4 | 52618 | Drum Asm W/Hub Cone |
| 5 | 35603 | Hub PCB |
| 6 | 53533 | Screw, #2-28 x 3/16" (2) |
| 7 | 52608 | Audio PCB Cable |
| 8 | 35608 | O-Ring |
| 9 | 52623 | Hub Cover |
| 10 | 52633 | Label |
| 11 | 24488 | Screw, #4-40 x 1/2" (6) |
| 12 | 37198 | Keypad |
| 13 | 52613 | Audio PCB |
| 14 | 52943 | O-Ring |



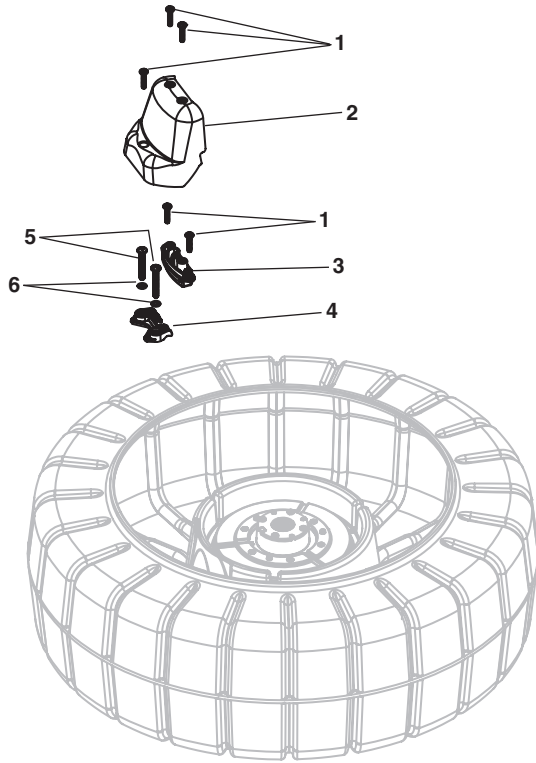
**NOTE: Order parts by Catalog Number only.
DO NOT order by Reference Number.**

| Ref. No. | Catalog No. | Description |
|----------|-------------|-------------------------|
| 1 | 52638 | Hub Cone |
| 2 | 35588 | Connector Gasket |
| 3 | 52653 | Drum Gasket |
| 4 | 52643 | Drum Only |
| 5 | 52648 | Drum Flange |
| 6 | 52948 | Screw, #8-16 x 3/4" (7) |



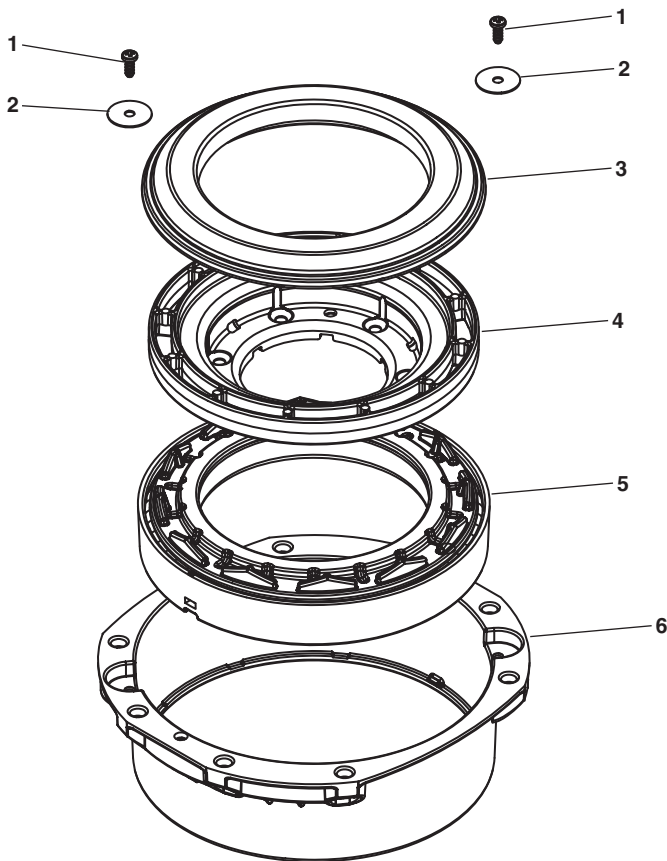
**NOTE: Order parts by Catalog Number only.
DO NOT order by Reference Number.**

| Ref. No. | Catalog No. | Description |
|----------|-------------|-------------------------|
| 1 | 52933 | Screw, #8-32 x 3/8" (6) |
| 2 | 52598 | Bearing Asm. |
| 3 | 52603 | Hub Gasket |
| 4 | 52618 | Drum Asm. |



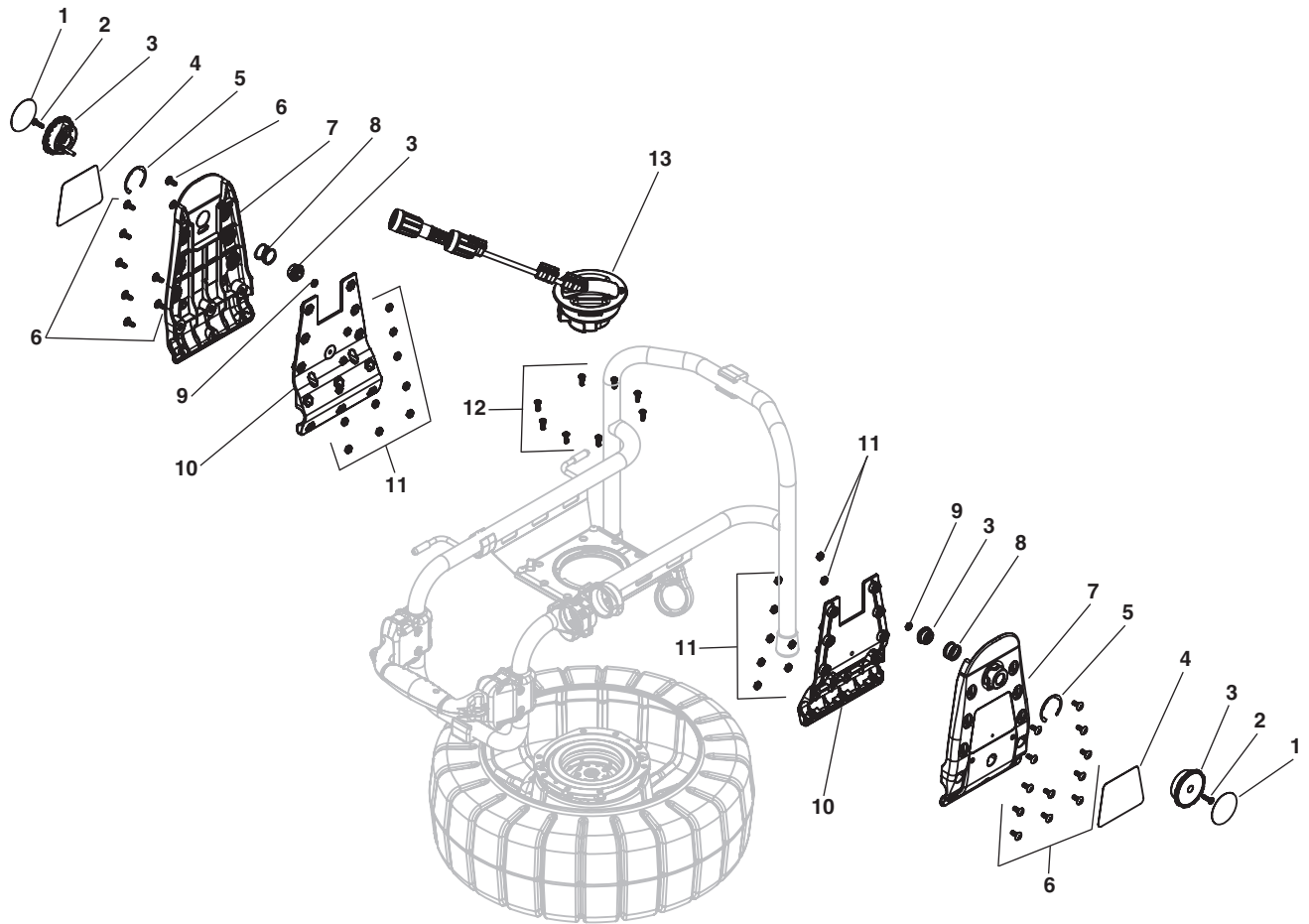
**NOTE: Order parts by Catalog Number only.
DO NOT order by Reference Number.**

| <u>Ref. No.</u> | <u>Catalog No.</u> | <u>Description</u> |
|-----------------|--------------------|---------------------------|
| 1 | 35663 | Screw, #6 x 5/8" (5) |
| 2 | 50848 | Hub Shield |
| 3 | 35933 | Sealing Clamp |
| 4 | 35658 | Push Cable Retainer |
| 5 | 50833 | Screw, #8-32 x 1 1/2" (2) |
| 6 | 50838 | Flat Washer (2) |



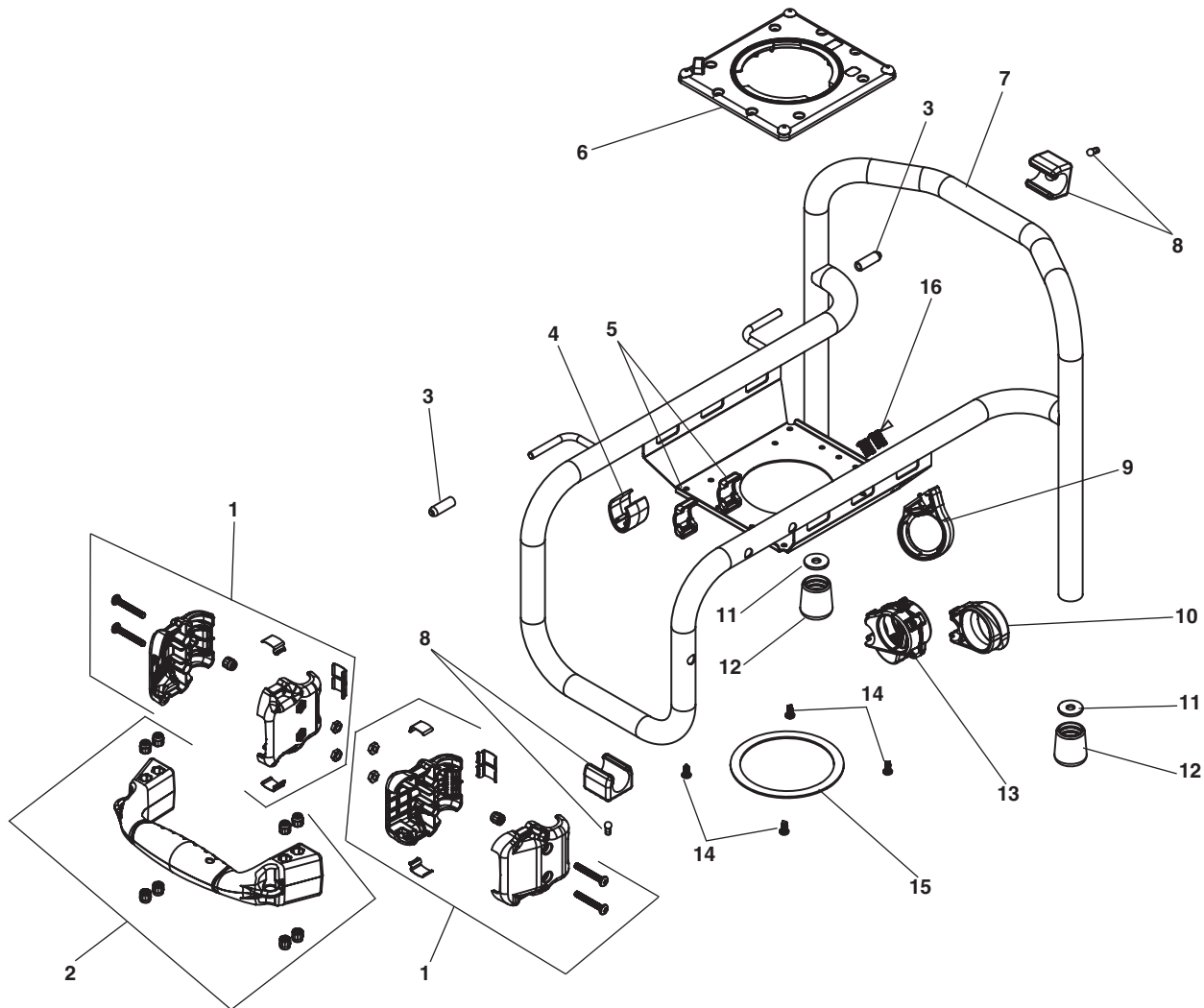
**NOTE: Order parts by Catalog Number only.
DO NOT order by Reference Number.**

| <u>Ref. No.</u> | <u>Catalog No.</u> | <u>Description</u> |
|-----------------|--------------------|---------------------|
| 1 | 35548 | Screw, #4-20 x 5/8" |
| 2 | 53528 | Flat Washer (2) |
| 3 | 43493 | Front Bearing Asm. |
| 4 | 53258 | Bearing Spacer |
| 5 | 47593 | Back Bearing Asm. |
| 6 | 53253 | Bearing Housing |



**NOTE: Order parts by Catalog Number only.
DO NOT order by Reference Number.**

| Ref. No. | Catalog No. | Description |
|----------|-------------|---------------------------|
| 1 | 53263 | Knob Label (2) |
| 2 | 53513 | Screw, #8-32 x 3/16" (2) |
| 3 | 53213 | Knob Pin (2) |
| 4 | 53698 | Side Plate Label |
| 5 | 53268 | Warning Label |
| 6 | 52923 | Screw, #10-32 x 1/2" (24) |
| 7 | 53218 | Side Plate (2) |
| 8 | 53508 | Compression Spring (2) |
| 9 | 35648 | Hex Nut #8-32 (2) |
| 10 | 53223 | Backing Plate (2) |
| 11 | 52918 | Hex Nut #10-32 (24) |
| 12 | 53523 | Screw, #8-32 x 1/2" (8) |
| 13 | 33108 | Interconnect Cord Asm |



**NOTE: Order parts by Catalog Number only.
DO NOT order by Reference Number.**

| Ref. No. | Catalog No. | Description |
|----------|-------------|----------------------------------|
| 1 | 53503 | Handle Mounting Asm (2) |
| 2 | 50218 | Handle Asm. |
| 3 | 52928 | Rubber Tip (2) |
| 4 | 72532 | Wire Clip |
| 5 | 53248 | Front Cable Guide Retainer |
| 6 | 53228 | Slip Ring Mount |
| 7 | 53498 | Frame (incl ref no's 8, 11 & 12) |
| 8 | 72557 | Frame Bumper (2) |
| 9 | 53243 | Cable Guide Asm |
| 10 | 53238 | Mid Cable Guide |
| 11 | 72537 | Washer (2) |
| 12 | 70042 | Rubber Foot (2) |
| 13 | 49218 | Front Cable Guide |
| 14 | 53203 | Screw, #8 x 3/8" (4) |
| 15 | 53233 | Flat Seal |
| 16 | 24413 | Screw, #6 x 1/2" (4) |