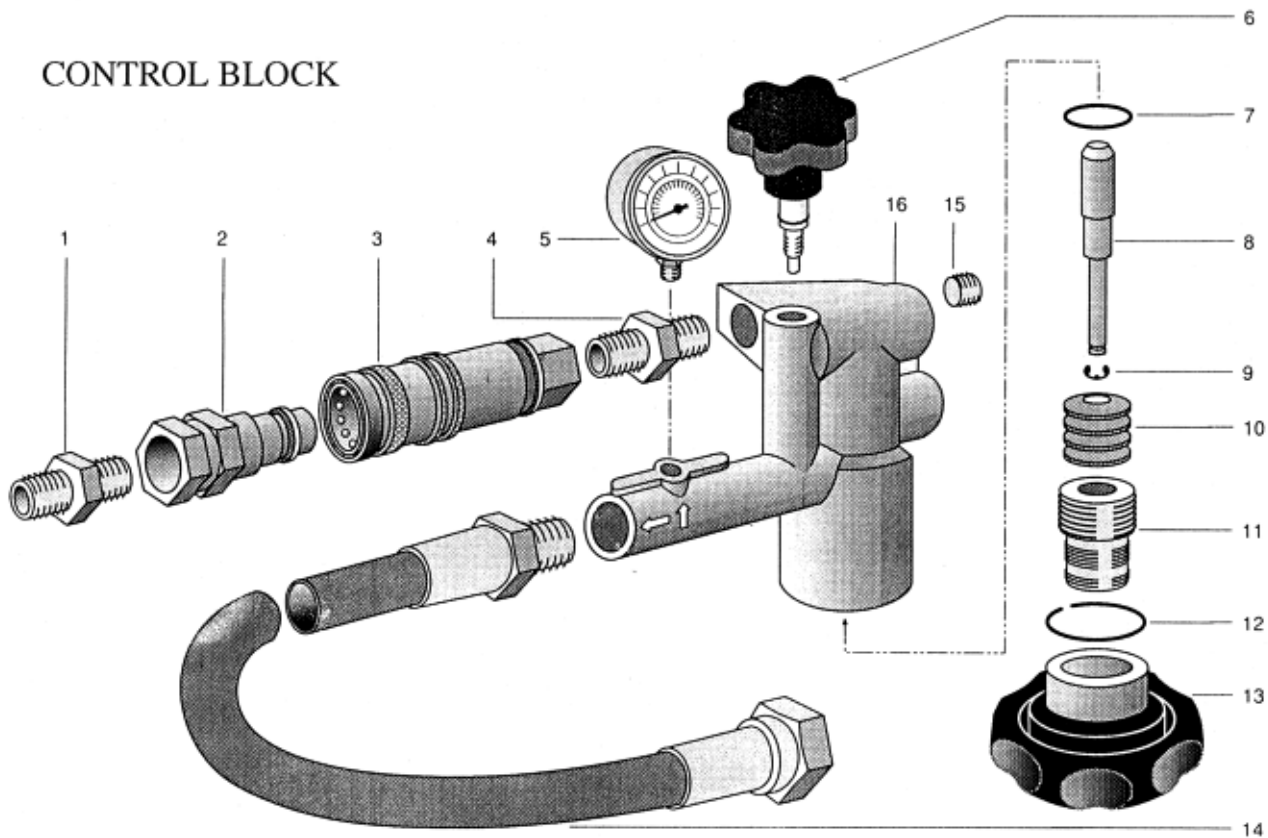
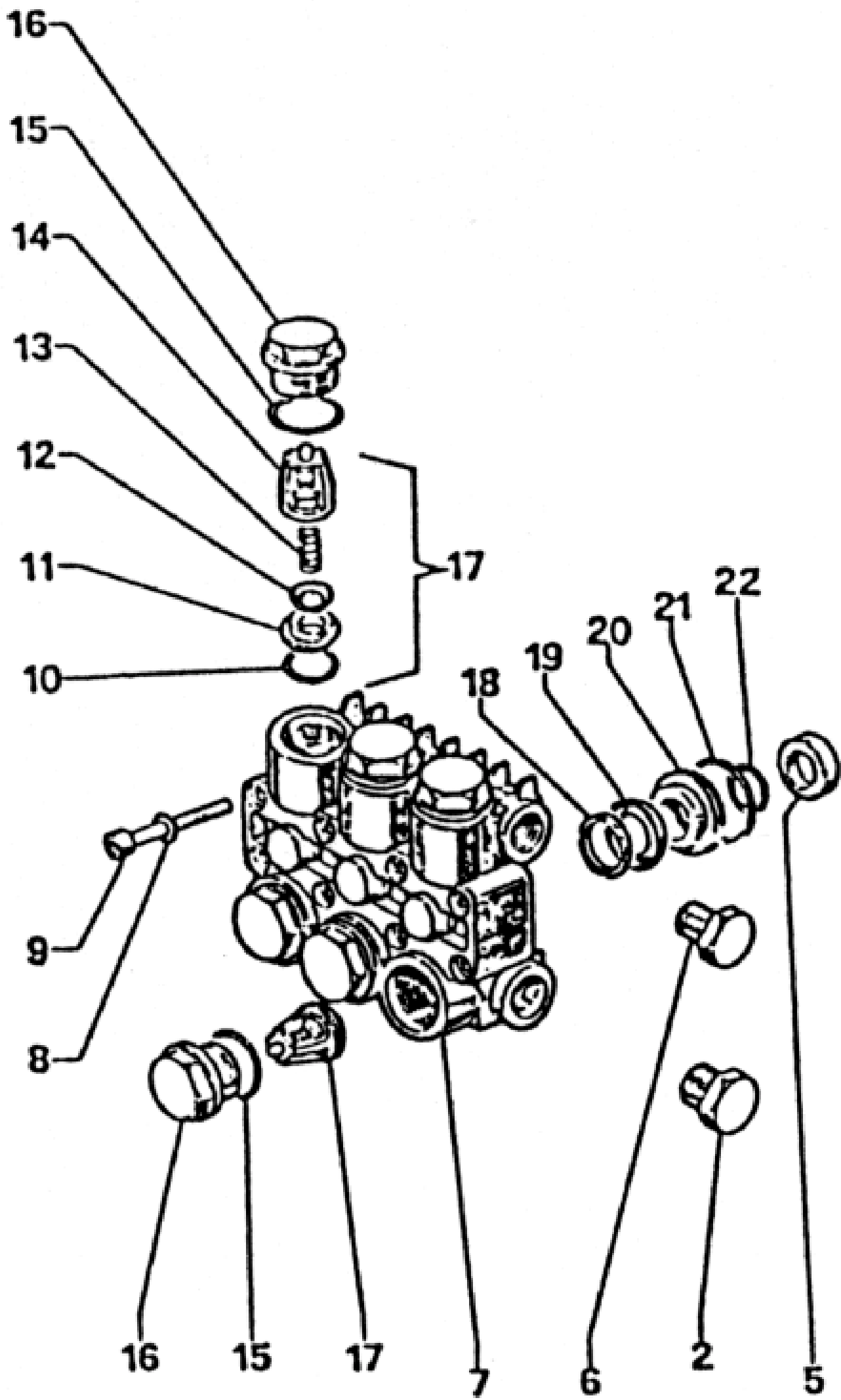


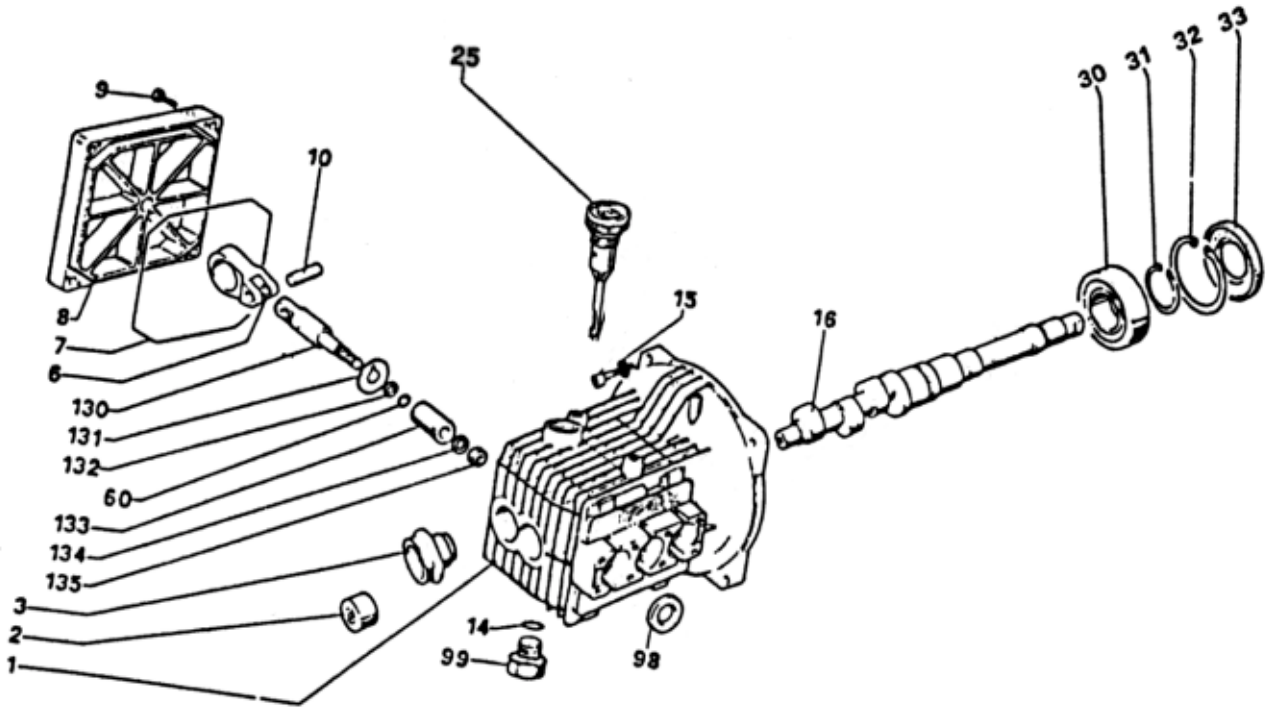
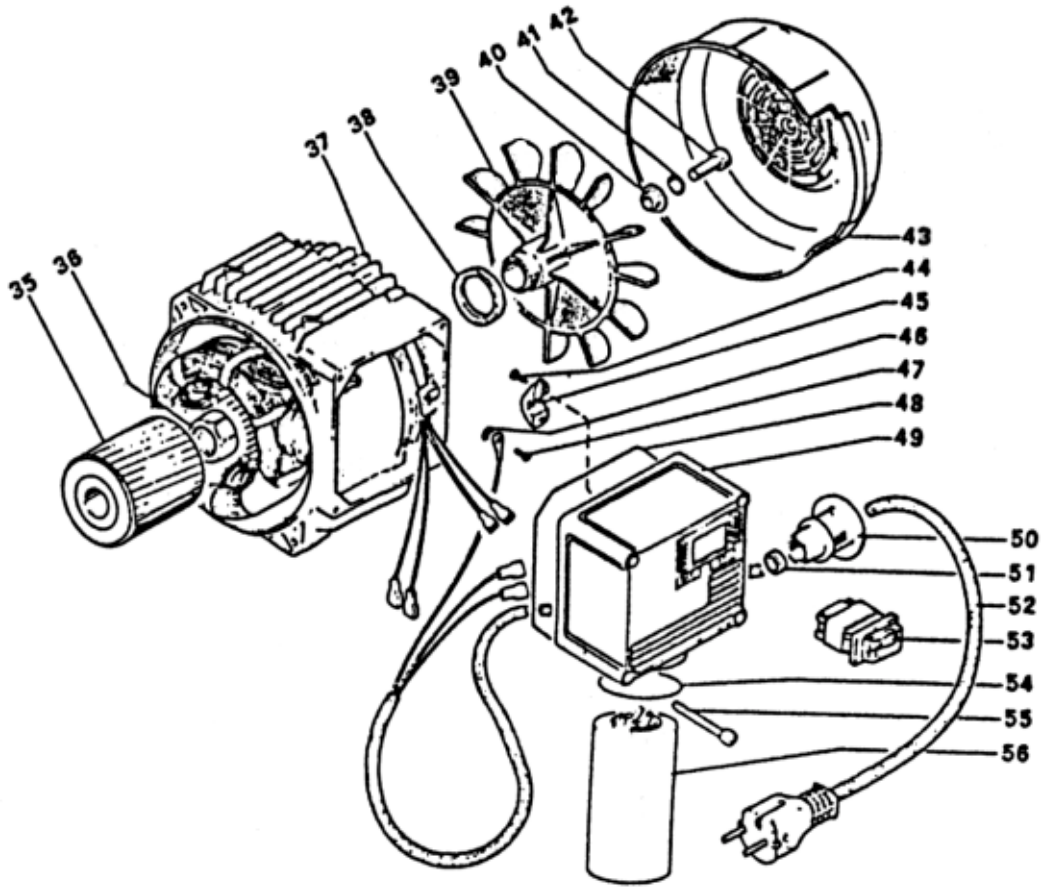
CONTROL BLOCK



RefNo	CatNo	Description
1	50196	NIPPLE
2	50206	QUICK CONNECTOR (M)
3	50216	QUICK CONNECTOR (F)
4	50226	NIPPLE
5	50246	GAUGE 60 BAR
6	50256	KNOB (o-ring 68226)
7	50266	O_RING
8	50276	PLUNGER
9	50286	CIRCLIP
10	50296	SPRING WASHER 8X180
11	50306	ADAPTOR
12	50316	CLIP
13	50326	KNOB
14	50336	HOSE
15	50346	PLUG
16	50356	BODY



RefNo	CatNo	Description
2	50006	CAP G 3/8X13
5	50016	OIL SEAL 15X24X5
6	50026	CAP G 1/4X9
7	50036	MANIFOLD AL NICKEL
8	50046	WASHER 6,4 SCHNORR
9	50056	SCREW M6X40 UNI5931
10	50066	O-RING 17,13X2,62
11	50076	VALVE SEAT
12	50086	VALVE
13	50096	SPRING 9,4X14,8
14	50106	VALVE GUIDE
15	50116	O-RING 20,24X2,62
16	50126	CAP M24X1,5
17	50136	VALVE UNIT
18	50146	HEAD RING
19	50156	PACKING
20	50166	PACKING RETAINER
21	50176	O-RING 25,12X1,78
22	50186	O-RING 15,08X2,62



RefNo	CatNo	Description
1	49506	PUMP CRANKCASE
2	49516	BUSHING
3	49526	OIL LEVER INDICATOR
6	49536	CONNECTING ROD
7	49546	O-RING 88,57X2,62
8	49556	CRANKCASE COVER
9	49566	SCREW M6X25 UNI 5931
10	49576	PISTON PIN 8X24,5
14	49596	O-RING 13,95X2,62
15	49606	WASHER 6,4X10X0,7
16	49616	CRANKSHAFT 0,6
25	49586	OIL DIPSTICK
30	49626	BALL BEARING 6206
31	49636	CIRCLIPS
32	49646	SEEGER 62 UNI 7437
33	49656	OIL SEAL
35	49666	ROTOR
36	49676	NUT M22
37	49686	STATOR
38	49696	OIL SEAL VA 28
39	49706	FAN
40	49716	FAN PLATE
41	49726	WASHER 8,4X13X0,8
42	49736	SCREW M8X20 UNI 5931
43	49746	FAN COVER
44	49756	SCREW M5X12 UNI 7687
45	49766	CLAMP
46	49776	WASHER 5,3X9X0,6 DIN6798A
47	49786	SCREW M5X12 UNI 7687
48	49796	O-RING 101,27X2,62
49	49806	SWITCH BOX COVER
50	49816	CABLE HOLDER
51	49826	CABLE HOLDER RUBBER
52	49836	CABLE
53	49846	SWITCH
54	49856	O-RING 48,89X2,62
55	49866	SCREW M5X65 UNI 5931
56	49876	CAPACITOR
60	49886	O-RING 5,28X1,78
98	49896	OIL SEAL 15X24X5
99	49906	CAP G 3/8X13
130	49916	PISTON GUIDE
131	49926	WASHER 9X23X0,5
132	49936	ANTI-EXTRUSION RING
133	49946	PISTON 15
134	49956	WASHER 8X13X1
135	49966	NUT M8X13X5